



TEC³ Custom Harness Specification Sheet



Wire Description	Desired Cut Length from ECU (+/- 2")
DFU "A"	
DFU "B" (4&6 cyl do NOT use DFU "B")	
Idle Air Control Motor	
Throttle Position Sensor	
Manifold Air Pressure	
Circle One: 1 Bar 2/3 Bar	
Manifold Air Temperature	
Coolant Temperature Sensor	
Oxygen Sensor	
Knock Sensor	
Crank Sensor	
Cam Sensor	
Cyl. 1 Injector	
Cyl. 2 Injector	
Cyl. 3 Injector	
Cyl. 4 Injector	
Cyl. 5 Injector	
Cyl. 6 Injector	
Cyl. 7 Injector	
Cyl. 8 Injector	
Cyl. 9 Injector	
Cyl. 10 Injector	
Cyl. 11 Injector	
Cyl. 12 Injector	

Note: All unspecified wire lengths are 6 ft from ECU.

Specify Harness Entry Point

○

○

○

○

In-line 4cyl

Firing Order:

Firing Configuration:

Specify Harness Entry Point

○ ○

○ ○

○ ○

Flat 4cyl

Firing Order:

Firing Configuration:

Specify Harness Entry Point

○ ○

○ ○

○ ○

Flat & V 6cyl

Firing Order:

Firing Configuration:

Specify Harness Entry Point

○

○

○

○

○

○

V8

Firing Order:

Firing Configuration:

Specify Harness Entry Point

○

○

○

○

○

In-line 6cyl

Firing Order:

Firing Configuration:

Specify Harness Entry Point

○ ○

○ ○

○ ○

○ ○

○ ○

Flat & V 12cyl

Firing Order:

Firing Configuration:

Harness Entry Point

○ 8 ○ 7

○ 6 ○ 5

○ 4 ○ 3

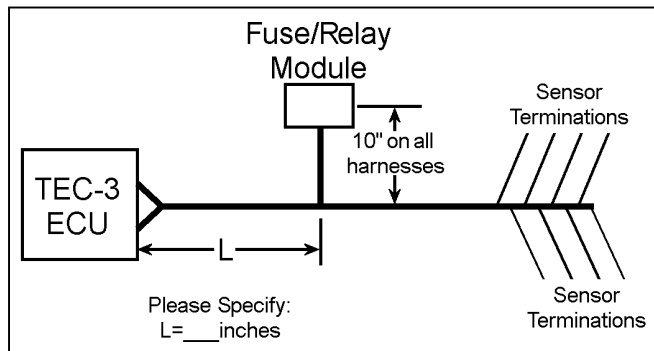
○ 2 ○ 1

V8

Firing Order:

Firing Configuration:

example:
Typical V8 Configuration



Address:

Customer Name: _____

Telephone #: _____

e-mail: _____

TEC³ Custom Harness Specification Sheet